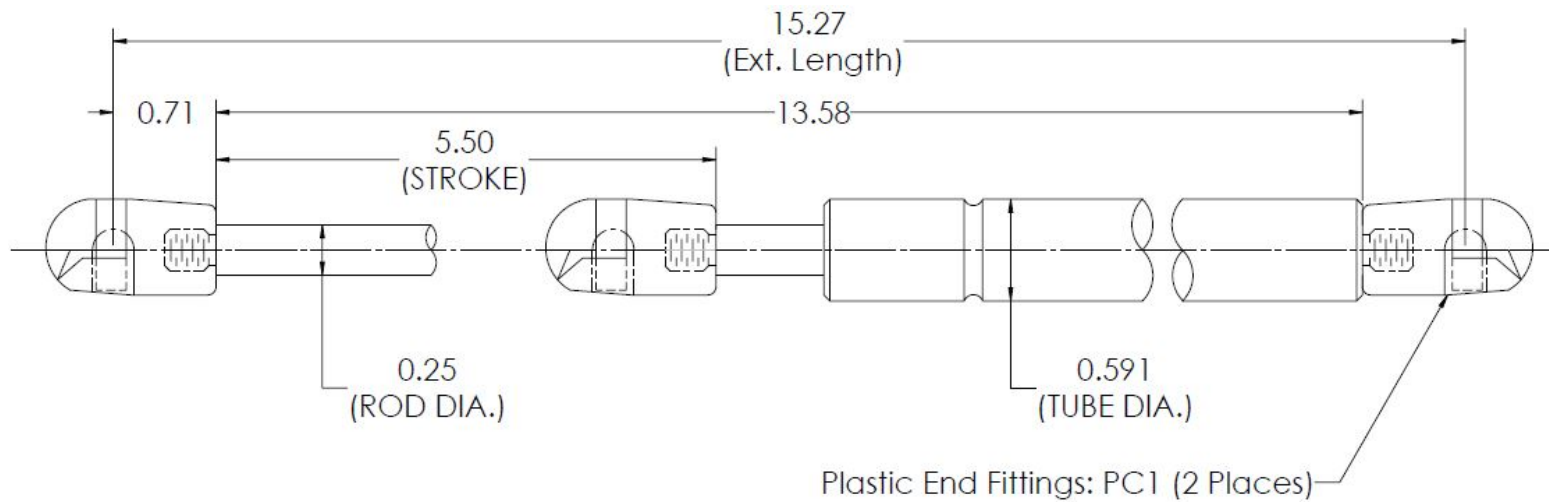



REVISION HISTORY			
REV	DESCRIPTION	DATE	APPROVED



NOTES:

- MATERIAL : CYLINDER - HEAVY GAUGE STEEL, BLACK POWDERCOAT PAINT  
ROD - HARDENED STEEL, BLACK NITRIDE
- FORCE : **60 POUNDS**
- DIMENSIONS ASSUMING END CONNECTORS ARE FULLY SCREWED INTO PLACE
- DRAWING LENGTHS (NOT DIMENSIONED) OF CYLINDER AND ROD BODIES ARE NOT TO SCALE

 <b>NUOMENG</b>		NAME	DATE								
		DRAWN Boytcho	31/07/18								
<small>THIS DOCUMENT AND ITS CONTENTS ARE THE PROPERTY OF NUOMENG. THIS DOCUMENT CONTAINS CONFIDENTIAL PROPRIETARY INFORMATION. THE REPRODUCTION, DISTRIBUTION, UTILISATION OR THE COMMUNICATION OF THIS DOCUMENT OR ANY PART THEREOF, WITHOUT EXPRESS AUTHORIZATION IS STRICTLY FORBIDDEN.</small>		DWG NO	REV								
		NSG1527S60PC1	0								
<small>REMOVE ALL BURRS &amp; BREAK ALL SHARP EDGES</small>		TOLERANCES	THIRD ANGLE PROJECTION								
		<table border="1"> <tr> <td>XX</td> <td>±0.060</td> </tr> <tr> <td>XXX</td> <td>±0.030</td> </tr> <tr> <td>XXXX</td> <td>±0.015</td> </tr> <tr> <td>ANGLES</td> <td>±1.0°</td> </tr> <tr> <td>HOLES</td> <td>±0.005</td> </tr> </table>	XX	±0.060	XXX	±0.030	XXXX	±0.015	ANGLES	±1.0°	HOLES
XX	±0.060										
XXX	±0.030										
XXXX	±0.015										
ANGLES	±1.0°										
HOLES	±0.005										
<small>ALL DIMENSIONS ARE IN INCHES UNLESS OTHERWISE SPECIFIED</small>		SCALE	SIZE								
		N.T.S.	B								