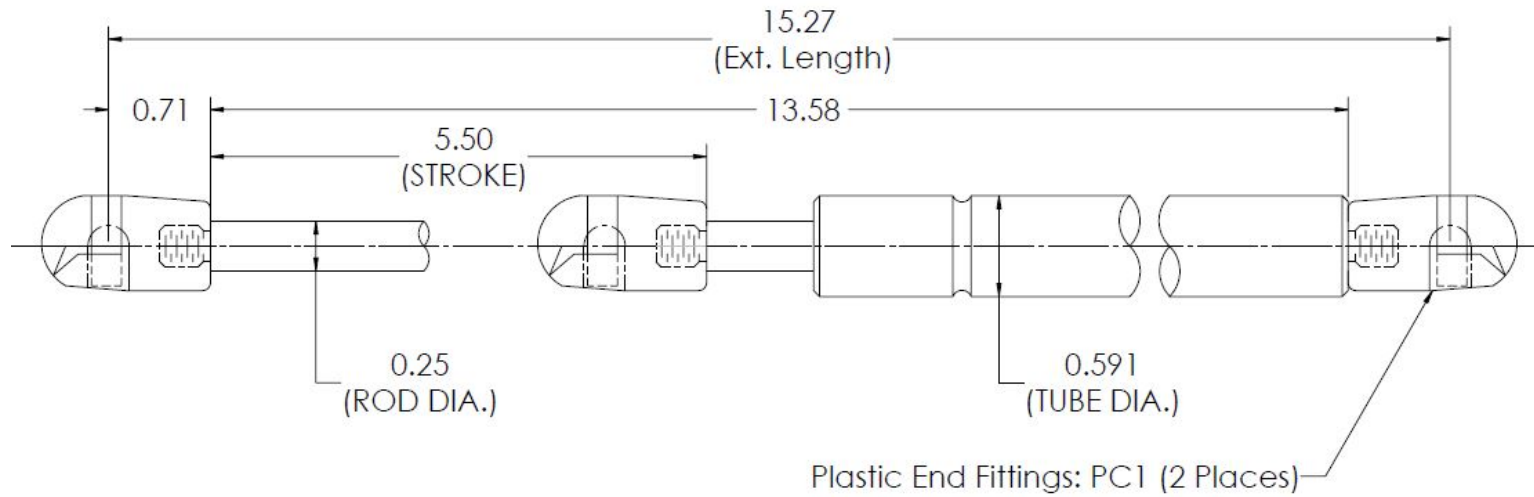




REVISION HISTORY			
REV	DESCRIPTION	DATE	APPROVED



NOTES:

1. MATERIAL : CYLINDER - STAINLESS STEEL 316
ROD - STAINLESS STEEL 316
2. FORCE : 60 POUNDS
3. DIMENSIONS ASSUMING END CONNECTORS ARE FULLY SCREWED INTO PLACE
4. DRAWING LENGTHS (NOT DIMENSIONED) OF CYLINDER AND ROD BODIES ARE NOT TO SCALE

 NUOMENG		NAME	DATE
		DRAWN Hamza Tariq	14/04/19
<small>THIS DOCUMENT AND ITS CONTENTS ARE THE PROPERTY OF NUOMENG. THIS DOCUMENT CONTAINS CONFIDENTIAL PROPRIETARY INFORMATION. THE REPRODUCTION, DISTRIBUTION, UTILISATION OR THE COMMUNICATION OF THIS DOCUMENT OR ANY PART THEREOF, WITHOUT EXPRESS AUTHORIZATION IS STRICTLY FORBIDDEN.</small>		CHECKED	
		DWG NC	REV 0
<small>REMOVE ALL BURRS & BREAK ALL SHARP EDGES</small>		TITLE	
		NSSG1527S60PC1 316 STAINLESS STEEL GAS SPRING	
<small>ALL DIMENSIONS ARE IN INCHES UNLESS OTHERWISE SPECIFIED</small>		TOLERANCES	THIRD ANGLE PROJECTION
		XX ±0.060 XXX ±0.030 XXXX ±0.015 ANGLES ±1.0° HOLES ±0.005	 SHEET 1 OF 1
SCALE		SIZE	
N.T.S.		B	