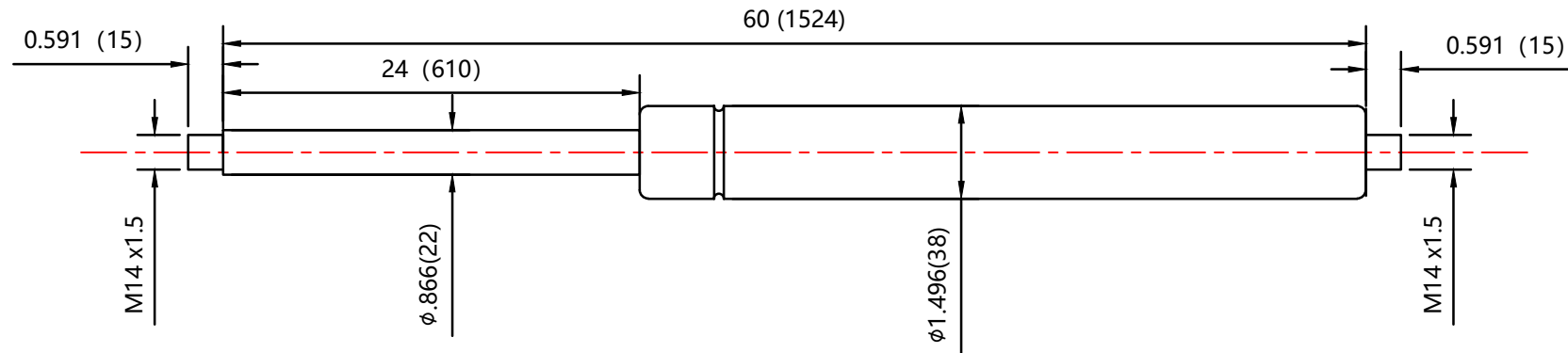

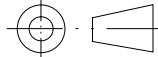
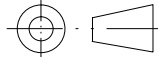
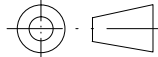
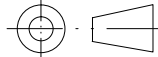


REVISION HISTORY			
REV	DESCRIPTION	DATE	APPROVED



NOTES

1. MATERIAL : CYLINDER - HEAVY GAUGE STEEL , BLACK POWDERCOAT PAINT
ROD - HARDENED STEEL BLACK NITRIDE
2. FORCE: 800LBS / 3560N
3. DIMENSIONS ASSUMING END CONNECTORS ARE FULLY SCREWED INTO PLACE
4. DRAWING LENGTHS (NOT DIMENSIONED) OF CYLINDER AND ROD BODIES ARE NOT TO SCALI
5. OPERARTING TEMPERATURE : - 3 0 C TO + 8 0 C
6. Label to include part number , date code , and warning message Label not to be remove
7. Gas Spring not to be modified , or changed from manufactured , original , product
8. Gas Spring to is suggested to be mounted shaft down (rod down) for maximum performance
9. Connectors to be lined up per drawing . 5 degree devison permitted
- 10 . Gas Springs will be individually packed in sealed clear plastic bags , to avoid damage , dust , or other foreign material - obiects
- 11 . Gas Spring to be assembled per the drawing with end fittings assembled / fastened
- 12 . Gas Springs are not to be opened
- 13 . Inside of each end fitting to be greased

		DRAWN	NAME	DATE
		CHECKED	Faith	3/27/20
<small>THIS DOCUMENT AND ITS CONTENTS ARE THE PROPERTY OF NUOMENG. THIS DOCUMENT CONTAINS CONFIDENTIAL PROPRIETARY INFORMATION. THE REPRODUCTION, DISTRIBUTION, UTILISATION OR THE COMMUNICATION OF THIS DOCUMENT OR ANY PART THEREOF, WITHOUT EXPRESS AUTHORISATION IS STRICTLY FORBIDDEN.</small>		DWG NO		REV
		NSG6000Y800		0
<small>REMOVE ALL BURRS & BREAK ALL SHARP EDGES</small>		TITLE		SCALE
		Gas Spring		N.T.S.
<small>ALL DIMENSIONS ARE IN inch UNLESS OTHERWISE SPECIFIED</small>		TOLERANCES	THIRD ANGLE PROJECTION	
		X.X ±0.060		
<small>ANGLES ± 0.1°</small>		X.XX ±0.030		
		X.XXX ±0.015		
<small>HOLES ±0.005</small>		ANGLES ± 0.1°		
		HOLES ±0.005		
<small>SHEET 1 OF 1</small>		