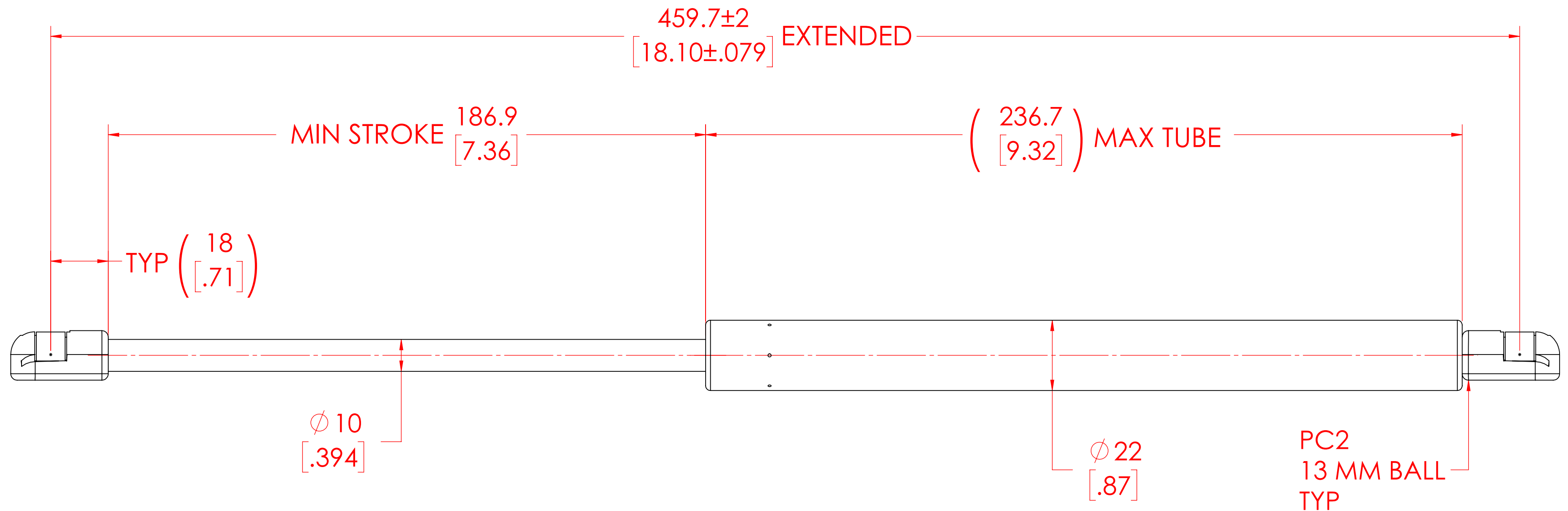


| REVISION HISTORY |             |      |          |
|------------------|-------------|------|----------|
| REV              | DESCRIPTION | DATE | APPROVED |
|                  |             |      |          |



| FORCES (STATICALLY MEASURED) |    |
|------------------------------|----|
| F1                           | F2 |
| 100 LBS (445 N) +10%<br>-5%  | -  |

**NOTES:**

- 1) MATERIAL: CYLINDER - STEEL, BLACK PAINT / ROD - STEEL BLACK NITRIDE.
- 2) OPERATING TEMPERATURE: -40°C TO +80°C.
- 3) STANDARD PART IDENTIFICATION TO INCLUDE PART NUMBER, DATE CODE AND WARNING MESSAGE. LABEL NOT TO BE REMOVED
- 4) GAS SPRING IS SUGGESTED TO BE MOUNTED SHAFT DOWN (ROD DOWN) FOR MAXIMUM PERFORMANCE.
- 5) END FITTINGS TO BE ORIENTED AS SHOWN ±5°.
- 6) GAS SPRINGS WILL BE SEALED IN CLEAR PLASTIC BAGS TO AVOID DAMAGE, DUST, OR OTHER FOREIGN OBJECTS.
- 7) GAS SPRING TO BE ASSEMBLED WITH END FITTINGS COMPLETELY FASTENED.
- 8) GREASE TO BE INCLUDED INSIDE THE BALL SOCKET OF THE END FITTINGS

|  |   |                     |                        |
|--|---|---------------------|------------------------|
| <b>NORMONT</b>   | NAME  | DATE                |                        |
|  | DRAWN   | MABR                | 01/18/2024             |
|  | CHECKED   |                     |                        |
|  | PART No.  | NSG1825L100PC2      | REV                    |
| THIS DOCUMENT AND ITS CONTENTS ARE THE PROPERTY OF NORMONT<br>THIS DOCUMENT CONTAINS CONFIDENTIAL PROPRIETARY INFORMATION. THE REPRODUCTION, DISTRIBUTION, UTILISATION OR THE COMMUNICATION OF THIS DOCUMENT OR ANY PART THEREOF, WITHOUT EXPRESS AUTHORISATION IS STRICTLY FORBIDDEN. | TITLE   |                     | GAS SPRING             |
|  | TOLERANCES  |                     | THIRD ANGLE PROJECTION |
|  | XX  | ± 0.060             |                        |
|  | X.XX  | ± 0.030             |                        |
|  | X.XXX   | ± 0.010             |                        |
| ANGLES   | ± 1°  | SCALE<br><b>1:1</b> |                        |
| HOLES  | ± 0.005   |                     |                        |
| REMOVE ALL BURRS AND BREAK ALL SHARP EDGES   | ALL DIMENSIONS ARE <b>DUAL</b> UNLESS OTHERWISE SPECIFIED |                     | SIZE<br><b>C</b>       |
|  |   |                     | SHEET 1 OF 1           |