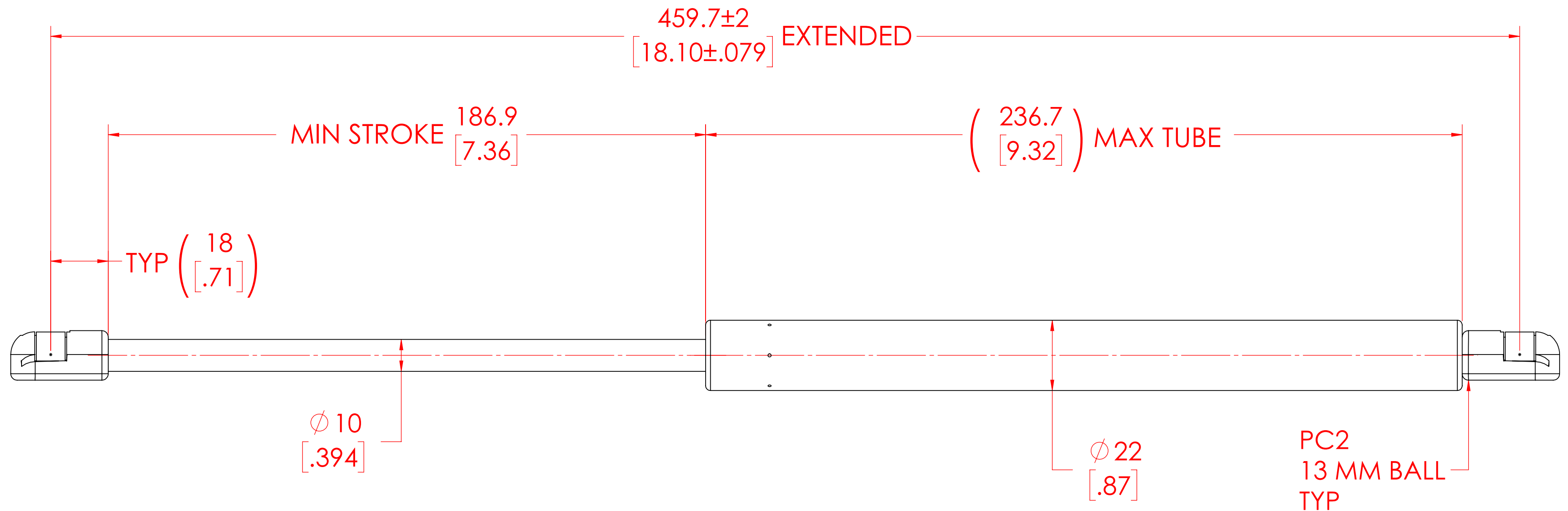


| REVISION HISTORY | | | |
|------------------|-------------|------|----------|
| REV | DESCRIPTION | DATE | APPROVED |
| | | | |



| FORCES (STATICALLY MEASURED) | |
|---|----|
| F1 | F2 |
| 225 LBS (1001 N) ^{+5%} _{-5%} | - |

NOTES:

- 1) MATERIAL: CYLINDER - STEEL, BLACK PAINT / ROD - STEEL BLACK NITRIDE.
- 2) OPERATING TEMPERATURE: -40°C TO +80°C.
- 3) STANDARD PART IDENTIFICATION TO INCLUDE PART NUMBER, DATE CODE AND WARNING MESSAGE. LABEL NOT TO BE REMOVED
- 4) GAS SPRING IS SUGGESTED TO BE MOUNTED SHAFT DOWN (ROD DOWN) FOR MAXIMUM PERFORMANCE.
- 5) END FITTINGS TO BE ORIENTED AS SHOWN ±5°.
- 6) GAS SPRINGS WILL BE SEALED IN CLEAR PLASTIC BAGS TO AVOID DAMAGE, DUST, OR OTHER FOREIGN OBJECTS.
- 7) GAS SPRING TO BE ASSEMBLED WITH END FITTINGS COMPLETELY FASTENED.
- 8) GREASE TO BE INCLUDED INSIDE THE BALL SOCKET OF THE END FITTINGS

| | | | |
|--|---|---------------------|------------------------|
| NORMONT | NAME | DATE | |
| | DRAWN | MABR | 01/18/2024 |
| | CHECKED | | |
| | PART No. | NSG1825L225PC2 | REV |
| THIS DOCUMENT AND ITS CONTENTS ARE THE PROPERTY OF NORMONT THIS DOCUMENT CONTAINS CONFIDENTIAL PROPRIETARY INFORMATION. THE REPRODUCTION, DISTRIBUTION, UTILISATION OR THE COMMUNICATION OF THIS DOCUMENT OR ANY PART THEREOF, WITHOUT EXPRESS AUTHORISATION IS STRICTLY FORBIDDEN. | TITLE | | GAS SPRING |
| | TOLERANCES | | THIRD ANGLE PROJECTION |
| | XX | ± 0.060 | |
| | X.XX | ± 0.030 | |
| | X.XXX | ± 0.010 | |
| ANGLES | ± 1° | SCALE 1:1 | |
| HOLES | ± 0.005 | | |
| REMOVE ALL BURRS AND BREAK ALL SHARP EDGES | ALL DIMENSIONS ARE DUAL UNLESS OTHERWISE SPECIFIED | | SIZE C |
| | | | SHEET 1 OF 1 |