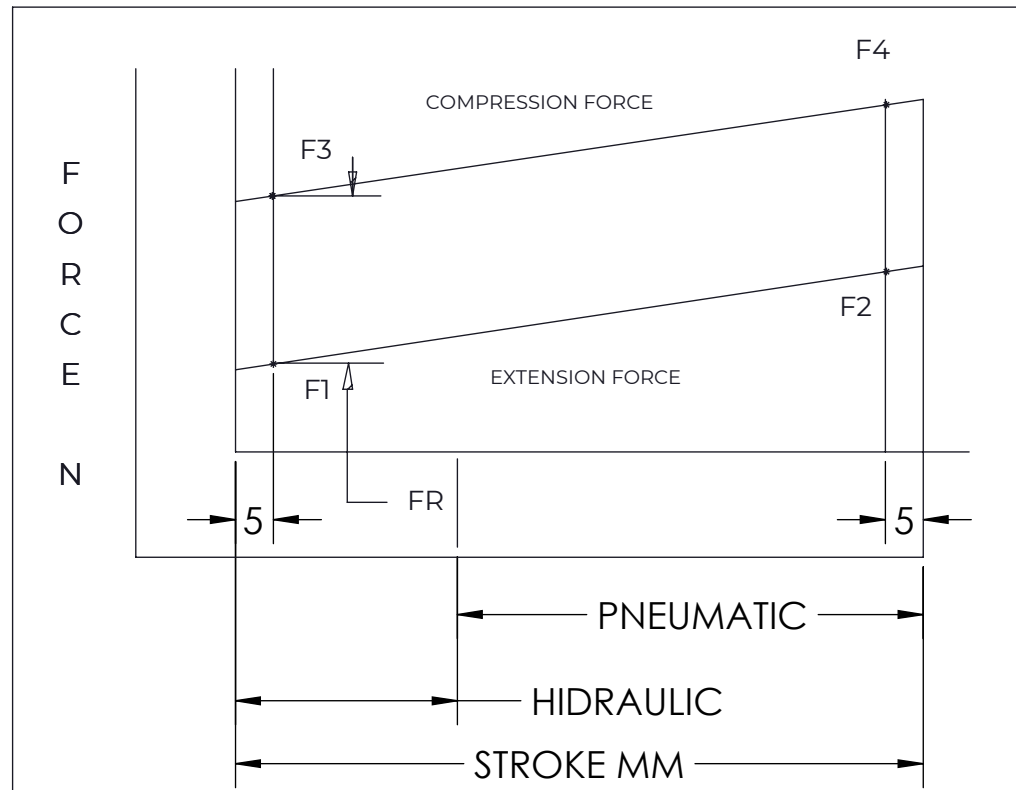
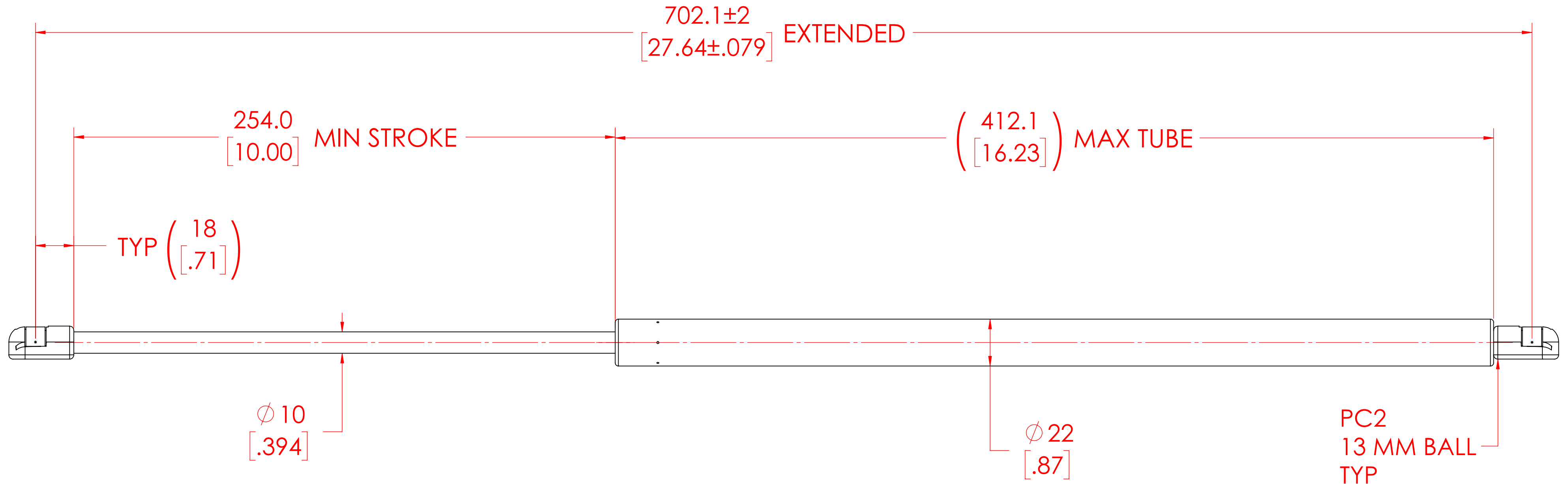


| REVISION HISTORY |             |      |          |
|------------------|-------------|------|----------|
| REV              | DESCRIPTION | DATE | APPROVED |
|                  |             |      |          |



| FORCES (STATICALLY MEASURED) |    |
|------------------------------|----|
| F1                           | F2 |
| 125 LBS (556 N) +7%<br>-5%   | -  |

- NOTES:**
- 1) MATERIAL: CYLINDER - STEEL, BLACK PAINT / ROD - STEEL BLACK NITRIDE.
  - 2) OPERATING TEMPERATURE: -40°C TO +80°C.
  - 3) STANDARD PART IDENTIFICATION TO INCLUDE PART NUMBER, DATE CODE AND WARNING MESSAGE. LABEL NOT TO BE REMOVED
  - 4) GAS SPRING IS SUGGESTED TO BE MOUNTED SHAFT DOWN (ROD DOWN) FOR MAXIMUM PERFORMANCE.
  - 5) END FITTINGS TO BE ORIENTED AS SHOWN ±5°.
  - 6) GAS SPRINGS WILL BE SEALED IN CLEAR PLASTIC BAGS TO AVOID DAMAGE, DUST, OR OTHER FOREIGN OBJECTS.
  - 7) GAS SPRING TO BE ASSEMBLED WITH END FITTINGS COMPLETELY FASTENED.
  - 8) GREASE TO BE INCLUDED INSIDE THE BALL SOCKET OF THE END FITTINGS

|  |            |                |                        |            |       |
|--|------------|----------------|------------------------|------------|-------|
| <b>NORMONT</b>   | NAME       | MABR           | DATE                   | 01/18/2024 |       |
|  | DRAWN      |                |                        |            |       |
|  | CHECKED    |                |                        |            |       |
|  | PART No.   | NSG2780L125PC2 |                        | REV        | -     |
| THIS DOCUMENT AND ITS CONTENTS ARE THE PROPERTY OF NORMONT<br>THIS DOCUMENT CONTAINS CONFIDENTIAL PROPRIETARY INFORMATION. THE REPRODUCTION, DISTRIBUTION, UTILISATION OR THE COMMUNICATION OF THIS DOCUMENT OR ANY PART THEREOF, WITHOUT EXPRESS AUTHORISATION IS STRICTLY FORBIDDEN. | TITLE      |                | GAS SPRING             |            |       |
|  | TOLERANCES |                | THIRD ANGLE PROJECTION | SCALE      | 1:1.4 |
|  | XX         | ± 0.060        |                        |            | SIZE  |
|  | X.XX       | ± 0.030        |                        |            |       |
|  | X.XXX      | ± 0.010        |                        |            |       |
| ANGLES   | ± 1°       |                |                        |            |       |
| HOLES  | ± 0.005    |                | SHEET 1 OF 1           |            |       |

REMOVE ALL BURRS AND BREAK ALL SHARP EDGES

ALL DIMENSIONS ARE **DUAL** UNLESS OTHERWISE SPECIFIED