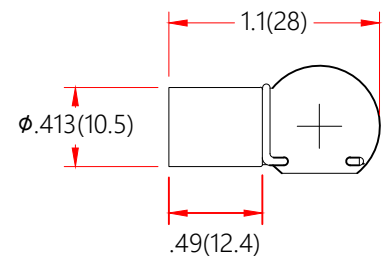
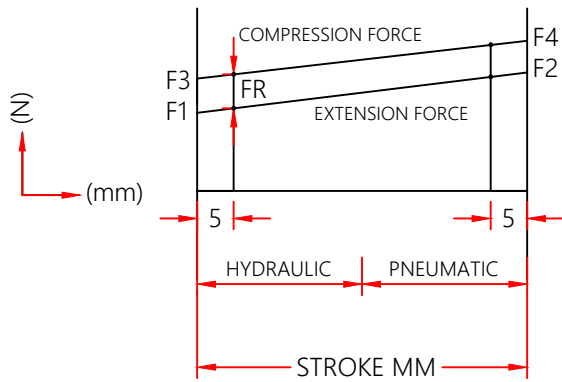
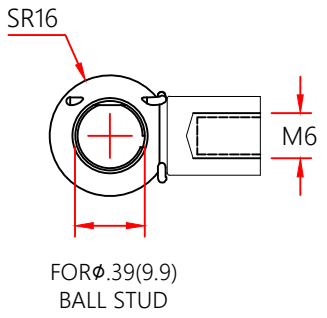
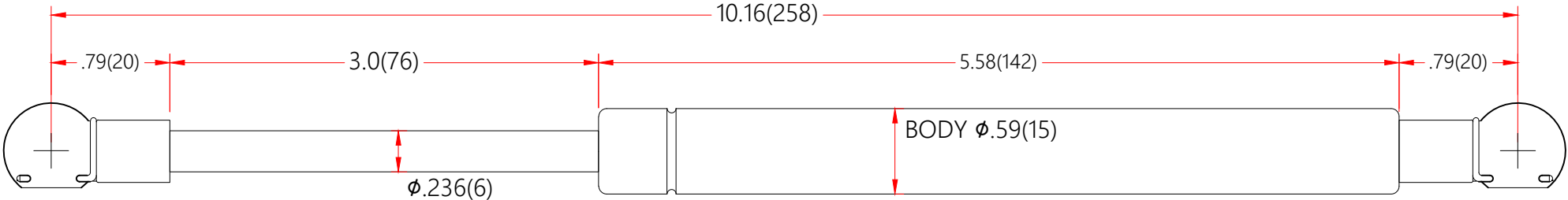


REVISION HISTORY			
REV	DESCRIPTION	DATE	APPROVED



- NOTES
1. MATERIAL: CYLINDER - HEAVY GAUGE STEEL, BLACK PAINT. ROD - HARDENED STEEL BLACK NITRIDE
 2. FORCE: 30LBS/ 133N
 3. Dimensions assuming end connectors are fully screwed into place
 4. Drawing lengths (not dimensioned) of cylinder and rod bodies are not to scale
 5. Operating temperature: -30°C TO +80°C
 6. Standard label to include part number, date code, and warning message. Label not to be remove
 7. Gas Spring not to be modified, or changed from manufactured, original, product
 8. Gas Spring is suggested to be mounted shaft down (rod down) for maximum performance
 9. Connectors to be lined up per drawing. 5 degree division permitted
 10. Gas Springs will be individually packed in sealed clear plastic bags, to avoid damage, dust, or other foreign material objects
 11. Gas Spring to be assembled per the drawing with end fittings assembled / fastened
 12. Gas Springs are not to be opened
 13. Inside of each end fitting to be greased

NORMONT	DRAWN	NAME	DATE	
	CHECKED	FAITH	2/16/23	
<small>THIS DOCUMENT AND ITS CONTENTS ARE THE PROPERTY OF NUJOMENG. THIS DOCUMENT CONTAINS CONFIDENTIAL PROPRIETARY INFORMATION. THE REPRODUCTION, DISTRIBUTION, UTILISATION OR THE COMMUNICATION OF THIS DOCUMENT OR ANY PART THEREOF, WITHOUT EXPRESS AUTHORISATION IS STRICTLY FORBIDDEN.</small>	DWG NO		REV	
	NSG1000S30MT1		0	
	TITLE			
REMOVE ALL BURRS & BREAK ALL SHARP EDGES	ALL DIMENSIONS ARE IN		THIRD ANGLE PROJECTION 	
	Inch			
	UNLESS OTHERWISE SPECIFIED			
	SHEET 1 OF 1			
TOLERANCES	X.X	±0.060	SCALE	
	X.XX	±0.030		N.T.S.
	X.XXX	±0.015		
ANGLES	±FE			
	HOLES	±0.005	SIZE	
			B	