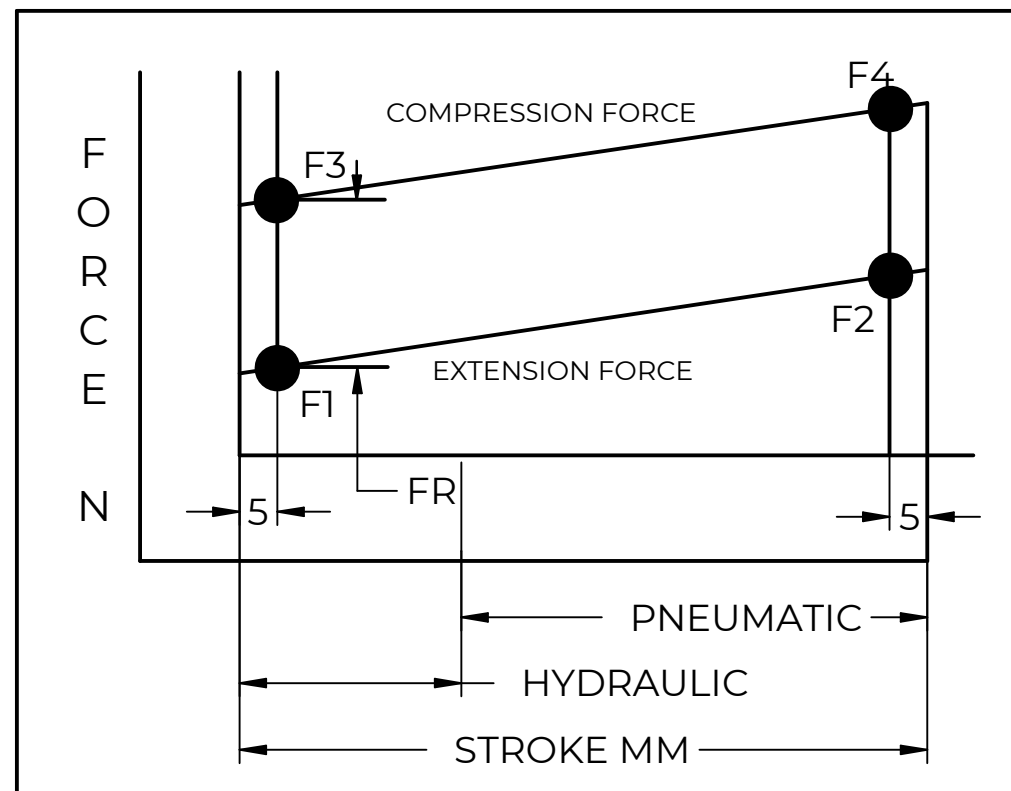
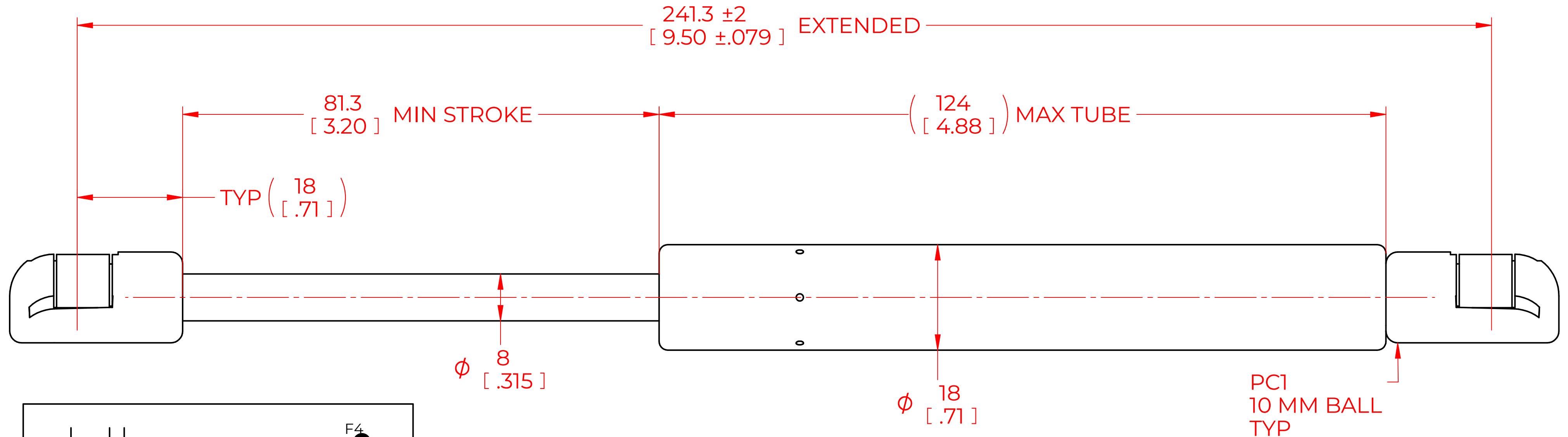


| REVISION HISTORY | | | |
|------------------|--|------------|----------|
| REV | DESCRIPTION | DATE | APPROVED |
| 1 | TEMPLATE UPDATED. FORCE TOLERANCE ADDED. | 02/01/2024 | JACN |



| FORCES (STATICALLY MEASURED) | |
|---|------|
| F1 | (F2) |
| 60 LBS (267 N) ^{+10%} _{-5%} | - |

NOTES:

- 1) MATERIAL: CYLINDER - STEEL, BLACK PAINT / ROD - STEEL BLACK NITRIDE.
- 2) OPERATING TEMPERATURE: -40°C TO +80°C.
- 3) STANDARD PART IDENTIFICATION TO INCLUDE PART NUMBER, DATE CODE AND WARNING MESSAGE. LABEL NOT TO BE REMOVED
- 4) GAS SPRING IS SUGGESTED TO BE MOUNTED SHAFT DOWN (ROD DOWN) FOR MAXIMUM PERFORMANCE.
- 5) END FITTINGS TO BE ORIENTED AS SHOWN $\pm 5^\circ$.
- 6) GAS SPRINGS WILL BE SEALED IN CLEAR PLASTIC BAGS TO AVOID DAMAGE, DUST, OR OTHER FOREIGN OBJECTS.
- 7) GAS SPRING TO BE ASSEMBLED WITH END FITTINGS COMPLETELY FASTENED.
- 8) GREASE TO BE INCLUDED INSIDE THE BALL SOCKET OF THE END FITTINGS.

| NORMONT | | NAME | DATE |
|--|-----|------------------------|--------------|
| DRAWN | CSH | | 05/17/2023 |
| CHECKED | | | |
| THIS DOCUMENT AND ITS CONTENTS ARE THE PROPERTY OF NORMONT | | PART No. | NSG950M60PC1 |
| THIS DOCUMENT CONTAINS CONFIDENTIAL PROPRIETARY INFORMATION. THE REPRODUCTION, DISTRIBUTION, UTILISATION OR THE COMMUNICATION OF THIS DOCUMENT OR ANY PART THEREOF, WITHOUT EXPRESS AUTHORISATION IS STRICTLY FORBIDDEN. | | TITLE | GAS SPRING |
| REMOVE ALL BURRS AND BREAK ALL SHARP EDGES | | TOLERANCES | |
| | | X.X | ± 0.060 |
| | | X.XX | ± 0.030 |
| | | X.XXX | ± 0.010 |
| ALL DIMENSIONS ARE DUAL UNLESS OTHERWISE SPECIFIED | | THIRD ANGLE PROJECTION | |
| | | SCALE | |
| | | 2:1 | |
| | | SIZE | |
| | | C | |
| | | SHEET 1 OF 1 | |