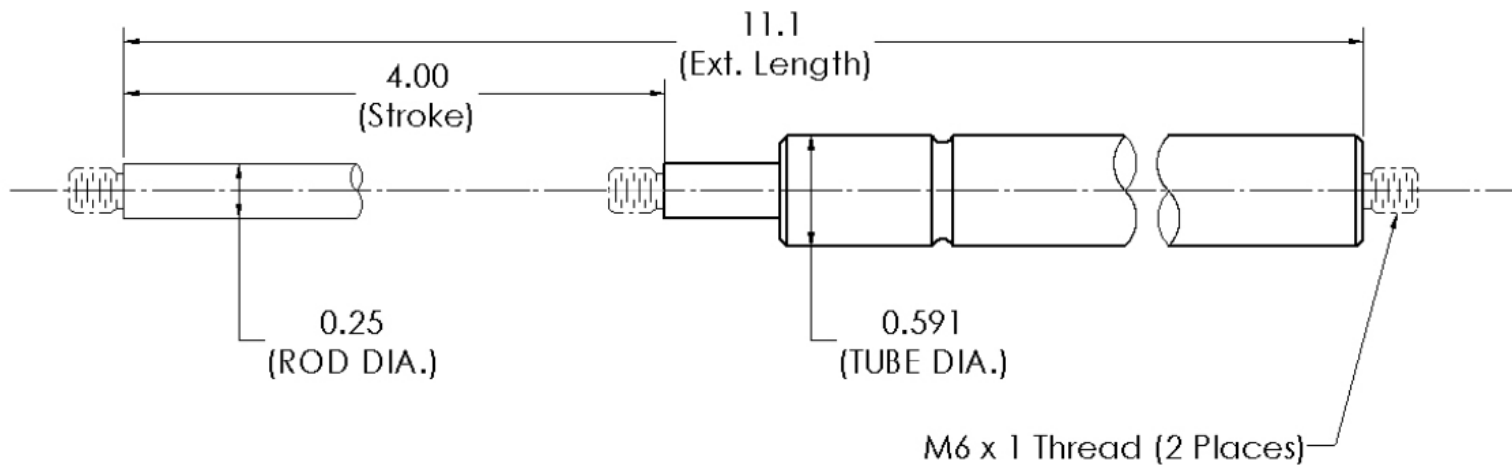

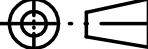
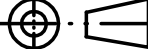


| REVISION HISTORY | | | |
|------------------|-------------|------|----------|
| REV | DESCRIPTION | DATE | APPROVED |
| | | | |



NOTES:

1. MATERIAL : CYLINDER - HEAVY GAUGE STEEL, BLACK POWDERCOAT PAINT
ROD - HARDENED STEEL, BLACK NITRIDE
2. FORCE : Compression Damper Medium Heavy.
3. DIMENSION: Ext. Length dimension without end fittings. Need to add end fittings length.
4. DRAWING LENGTHS (NOT DIMENSIONED) OF CYLINDER AND ROD BODIES ARE NOT TO SCALE

| | | | |
|-----------------------------------------------------------------------------------------------------------------------------------------------------------------------------------------------------------------------------------------------------------------------------------------------------|--|--------------------------------------------------------------------------------------------------------------------------------|----------|
|  NUOMENG | | NAME | DATE |
| | | DRAWN Hamza Tariq | 17/10/18 |
| <small>THIS DOCUMENT AND ITS CONTENTS ARE THE PROPERTY OF NUOMENG. THIS DOCUMENT CONTAINS CONFIDENTIAL PROPRIETARY INFORMATION. THE REPRODUCTION, DISTRIBUTION, UTILISATION OR THE COMMUNICATION OF THIS DOCUMENT OR ANY PART THEREOF, WITHOUT EXPRESS AUTHORIZATION IS STRICTLY FORBIDDEN.</small> | | CHECKED | |
| | | DWG NO NSDC1110SMH | REV 0 |
| <small>REMOVE ALL BURRS & BREAK ALL SHARP EDGES</small> | | TITLE Compression Damper Medium Heavy | |
| | | <small>ALL DIMENSIONS ARE IN INCHES UNLESS OTHERWISE SPECIFIED</small> | |
| <small>THIRD ANGLE PROJECTION</small>  | | TOLERANCES | |
| | | XX | ±0.060 |
| | | XXX | ±0.030 |
| | | XXXX | ±0.015 |
| <small>ANGLES ±1.0°</small> <small>HOLES ±0.005</small> | | <small>THIRD ANGLE PROJECTION</small>  | |
| | | <small>SHEET 1 OF 1</small> | |
| <small>SCALE N.T.S.</small> <small>SIZE B</small> | | <small>SCALE N.T.S.</small> <small>SIZE B</small> | |