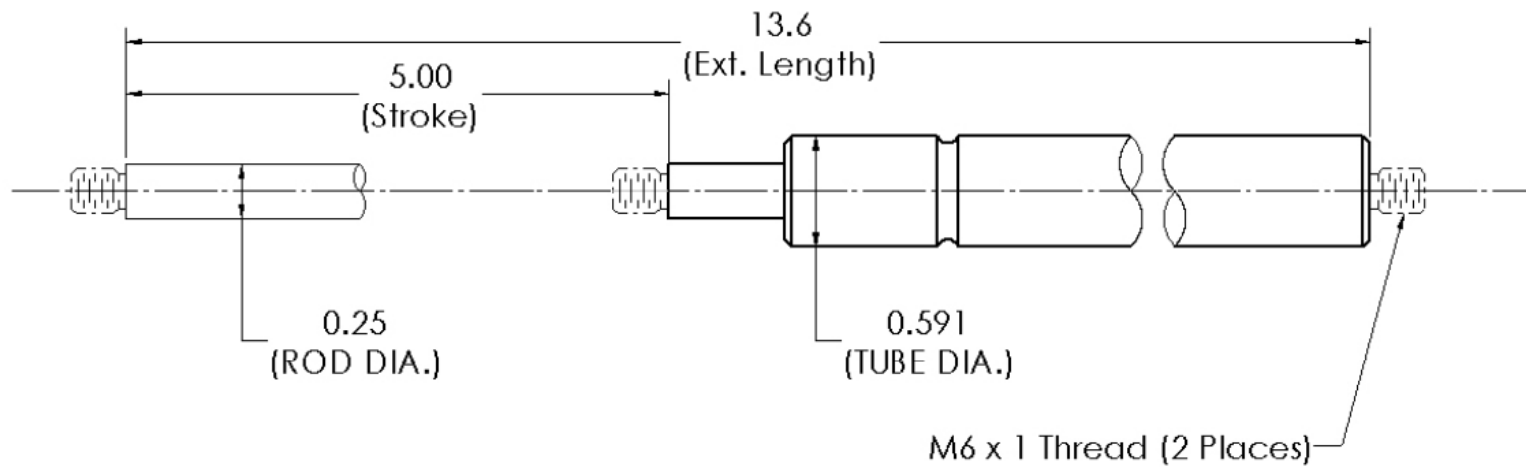




REVISION HISTORY			
REV	DESCRIPTION	DATE	APPROVED



NOTES:

1. MATERIAL : CYLINDER - HEAVY GAUGE STEEL, BLACK POWDERCOAT PAINT
ROD - HARDENED STEEL, BLACK NITRIDE
2. FORCE : Extension Damper Light.
3. DIMENSION: Ext. Length dimension without end fittings. Need to add end fittings length.
4. DRAWING LENGTHS (NOT DIMENSIONED) OF CYLINDER AND ROD BODIES ARE NOT TO SCALE.

 NUOMENG		NAME	DATE
		DRAWN Hamza Tariq	17/10/18
<small>THIS DOCUMENT AND ITS CONTENTS ARE THE PROPERTY OF NUOMENG. THIS DOCUMENT CONTAINS CONFIDENTIAL PROPRIETARY INFORMATION. THE REPRODUCTION, DISTRIBUTION, UTILISATION OR THE COMMUNICATION OF THIS DOCUMENT OR ANY PART THEREOF, WITHOUT EXPRESS AUTHORIZATION IS STRICTLY FORBIDDEN.</small>		DWG NO	REV
		NSDE1360SL	0
<small>REMOVE ALL BURRS & BREAK ALL SHARP EDGES</small>		TITLE	
		Extension Damper Light	
<small>ALL DIMENSIONS ARE IN INCHES UNLESS OTHERWISE SPECIFIED</small>		TOLERANCES	
		XX	±0.060
		XXX	±0.030
		XXXX	±0.015
<small>THIRD ANGLE PROJECTION</small> 		ANGLES	±1.0°
		HOLES	±0.005
<small>SHEET 1 OF 1</small>		SCALE	N.T.S.
		SIZE	B